

# GITA PUMPS

AN ISO 9001:2008  
CERTIFIED COMPANY



PROGRESSIVE  
CAVITY SCREW  
PUMPS TYPE  
'BD'

**APPLICATION:-** TYPE 'BD' SCREW PUMPS ARE USED FOR PUMPING ALL TYPES OF VISCOUS LIQUIDS IN HOST OF INDUSTRIES SUCH AS MINING, CHEMICAL, PAINT FOOD PROCESSING, EFFLUENT TREATMENT, DAIRIES AND BREWERIES, DISTILLERIES, SUGAR, PAPER, CERAMICS, COSMETICS MEDICINES AND OTHER INDUSTRIES.

**DESIGN & OPERATING PRINCIPLES:-** The Gita progressing cavity screw pump is valveless positive displacement pump. The main pumping elements are rotating screw (rotor) of circular cross section and in the form of helically wound single pitch screw. The stator has twice the pitch length of the rotor. As a result closed cavities are formed between the two pumping elements, in which the pumped material is transported continuously in a axial direction with every revolution of the rotor in the stator.

**MATERIAL OF CONSTRUCTION:-** Gita type 'BD' screw pumps are available in a wide variety of materials of construction, to suite individual customer requirement and as per characteristics of the pumped liquid. Standard materials of construction are as under :

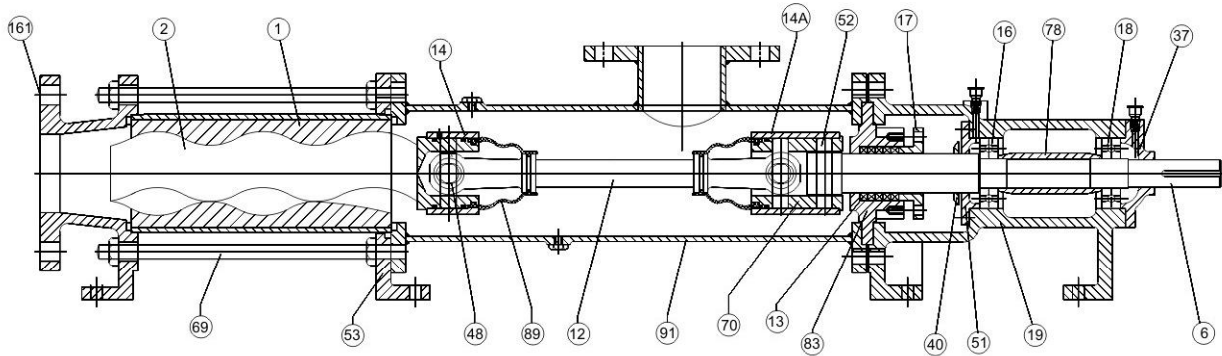
**ROTOR:-** En steel duly heat treated, hard chrome plated and AISI-304, AISI-316, hard chrome plated and other highly alloyed steels.

**STATOR:-** Steel pipe bonded inside with high grade natural rubber, neoprene, viton nitrile and silicone etc.

**HOUSING:-** Closed grained grey cast iron, rubber FRP lined or in AISI - 304, AISI - 316, hastelloy and other special alloys.

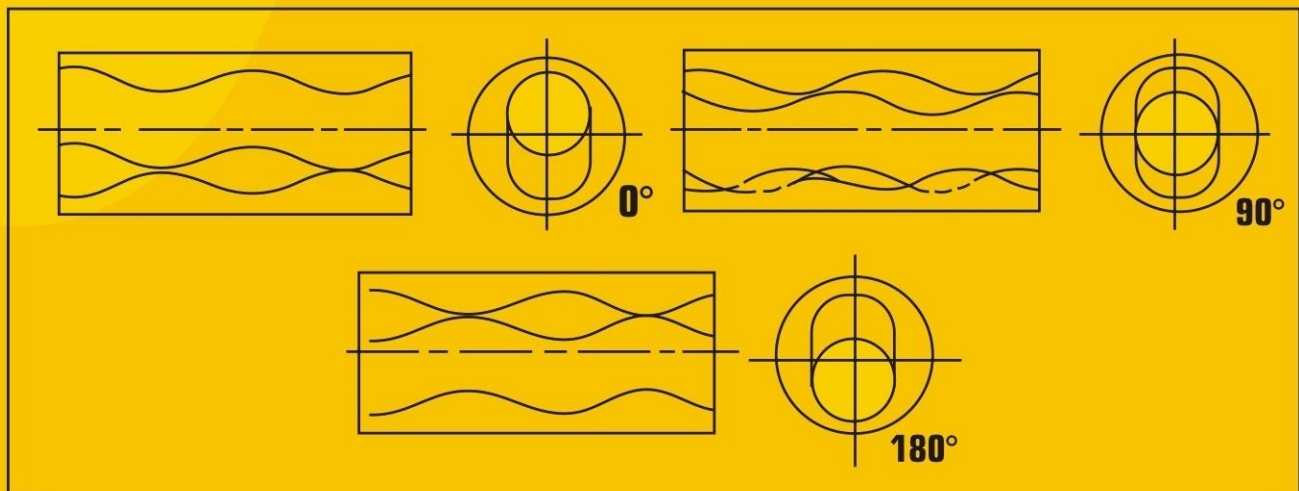
**OTHER ROTATING PARTS:-** Carbon steel chrome plated, Chr-steel, AISI, - 304. AISI - 316 and other alloys.

## CROSS SECTIONAL VIEW OF "BD" PUMPS



Part No.	Part Name	Qty. Per Reqd. Pump	Material	Part No.	Part Name	Qty. Per Reqd. Pump	Material
1	STATOR	1		19	BEARING BRACKET	1	C.I.
2	ROTOR	1		37	BEARING COVER (OUT BOARD)	1	C.I.
6	PUMP SHAFT	1	EN-8	40	DEFLECTOR	1	
12	DRIVE SHAFT	1	EN-8	51	BEARING COVER (IN BOARD)	1	C.I.
13	GLAND PACKING	8-9 PCS.		78	BEARING SPACER	1	C.I.
16	BEARING (IN BOARD)	1		83	STUFFING BOX	1	C.I.
17	GLAND	1	C.I.	91	SUCTION HOUSING	1	C.I.
18	BEARING (OUT BOARD)	1		161	DISCHARGE END COVER	1	C.I.

## WORKING PRINCIPLE OF TYPE "BD" PUMPS



## GITA PUMPS INDIA PVT. LTD.

H.O: POST BOX 32, GITA COMPOUND, PAPER MILL ROAD, SAHARANPUR - 247001  
 WORKS : VILL-CHHAJPURA, P.O.: KAILASHPUR, DEHRADUN ROAD, SAHARANPUR  
 PHONE: 0132-2786540, 2786541(FAX), 2786509, 9639013245, Upto 56, 9639013246  
 Email: sales@gitapumps.com Website: www.gitapumps.com