

GITA PUMPS

AN ISO 9001:2008
CERTIFIED COMPANY

**Centrifugal
Pumps Type
'CD'**



APPLICATIONS

**IRRIGATION, SPRINKLING,
FIRE FIGHTING, BOOSTING,
PUMPING BRINE, AIR CONDITIONING
SERVICE, CONDENSATE WATER**

**GITA 'CD' PUMPS ARE GENERAL PURPOSE PUMPS, HANDLING
WATER AND ARE EXTENSIVELY USED FOR ABOVE MENTIONED SERVICES.**

DESIGN FEATURES:- Gita 'CD' Type pumps are end suction, backpull out horizontal shaft design manufactured as per din - 24255.

CASING: Centerline discharge, selfventing high efficiency volute type, having integrally cast suction and delivery nozzle as well as supporting feet.

IMPELLER:- Fully enclosed type, dynamically balanced impeller is designed to give high efficiency requiring low NPSH. Hydraulic balancing is done providing back vanes and balancing holes close to HUB.

SHAFT:- Liberally designed shaft is supported on Deep groove ball bearing lubricated by oil.

SHAFT SEAL: Standard pumps are supplied with conventional packing type stuffing box. Mechanical seal with flushing liquid connection is optional. Water cooling can be provided for high temperature liquids.

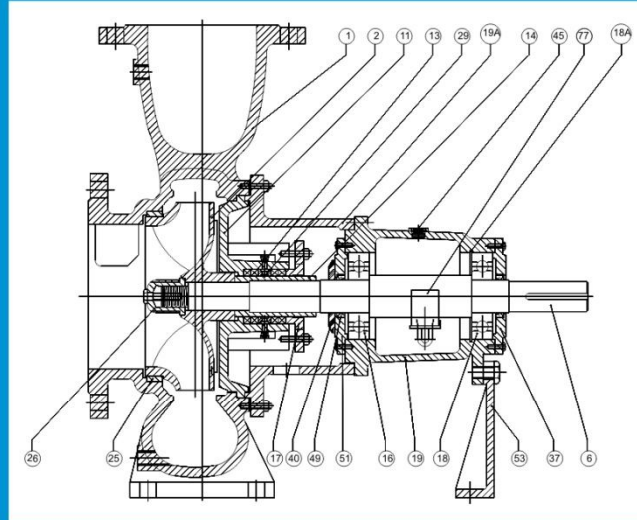
FLANGES:- Drilling in flanges is provided as per Din, 2533/Din-2543/1S,BS,ASA or ANSI as per customer's requirement.

MATERIAL OF CONSTRUCTION:- Pumps are available in C.I., Bronze, Stainless Steel or a combination of these and other special metals.

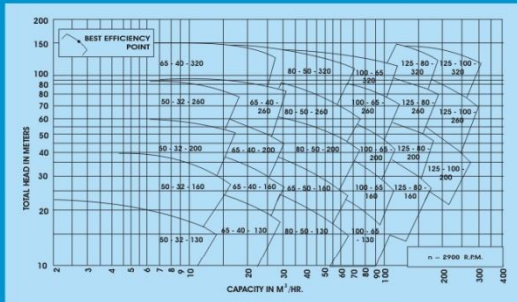
INTERCHANGEABILITY:- Considerable saving is made in spare parts inventory by using Gita 'CD' pumps. There are only 5 to 6 bearing bracket sub-assemblies to cover 40 models.

CROSS SECTIONAL VIEW OF "CD" PUMPS

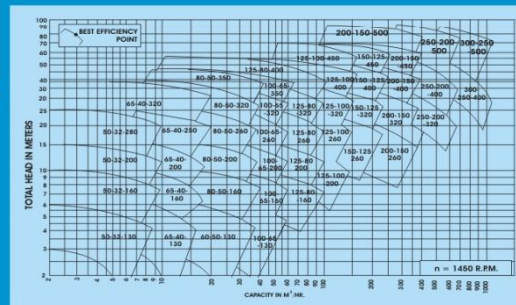
No.	Part Name	Qty. Per Reqd. Pump
1	VOLUTE CASING	1
2	IMPELLER	1
6	PUMP SHAFT	1
11	GLAND SIDE COVER	1
13	PACKING (GLAND)	4-6 PCS
14	SHAFT SLEEVE	1
16	BALL BEARING (INBOARD)	1
17	GLAND	1
17A	PRESSURE RING (GLAND)	1
18	BALL BEARING (OUT BOARD)	1
19	BRG. BRACKET	1
19A	DISTANCE PIECE	1
25	WEAR RING (IMP)	1
26	IMPELLER NUT	1
29	CAGE RING	1
37	BEARING COVER (OUT BOARD)	1
40	DEFLECTOR	1
45	VENT PLUG	1
49	OIL SEAL	2
51	BRG. COVER (IN BOARD)	1
53	BRACKET SUPPORT	1
63	BUSH (GLAND COVER)	1
36A	DRAIN TRAY	1
77	CONSTANT LEVER OILER	1



RANGE OF SIZES:- Upto 300 mm Delivery size.
CAPACITY:- Upto 1000 M3/HR
HEAD : Upto 180M
SPEED:- 1450 to 2900 RPM
TEMPERATURE : -30°C to + 300.
STANDARD:- Din-24256/ISO -2858/API-610



PERFORMANCE CHARACTERISTICS 2900 RPM MODEL "CD"



PERFORMANCE CHARACTERISTICS 1450 RPM MODEL "CD"



GITA PUMPS INDIA PVT. LTD.

H.O: POST BOX 32, GITA COMPOUND, PAPER MILL ROAD, SAHARANPUR - 247001
 WORKS : VILL-CHHAJPURA, P.O.: KAILASHPUR, DEHRADUN ROAD, SAHARANPUR
 PHONE: 0132-2786540, 2786541(FAX), 2786509, 9639013245, Upto 56, 9639013245
 Email: sales@gitapumps.com Website: www.gitapumps.com