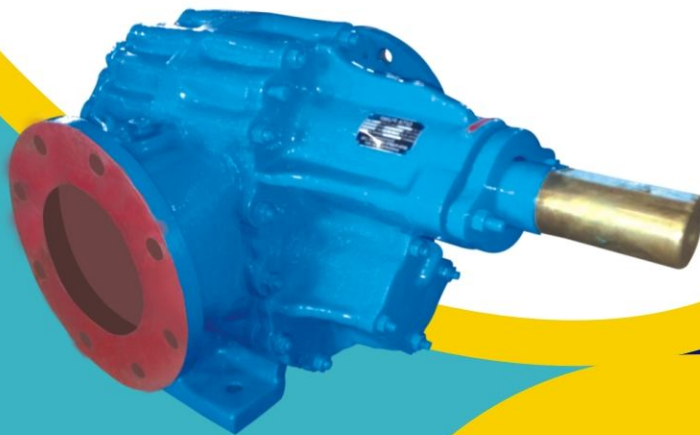


GITA PUMPS

AN ISO 9001:2008
CERTIFIED COMPANY



ROTARY GEAR
MODEL
'GR'

APPLICATION:- GEAR PUMPS ARE EXCELLENT FOR PUMPING THICK AND VISCOUS LIQUIDS, OILS, FATS, SOAP WATER, TAR, VARNISHES, SYRUPS, LYES, MOLASSES, TANK LOADING AND UNLOADING.

Model 'GR' Pumps have driving and driven shaft mounted in bush type bearings which are either self lubricated type or lubricated by the fluid pumped or externally by means of grease cups provided on end covers. Extra deep packing type stuffing box is provided to eliminate leakage.

DESIGN FEATURES:- Gita gear pumps are of rotary class. Two gears housed in circular casing have their teeth meshed. The side on which gear teeth separate is suction and the other side where they close in is delivery of pump. As the gear teeth separate on the suction side of the pump, liquid fills the spaces between them. Then it is carried around and squeezed out as the teeth mesh on the delivery side. These pumps have double helical cut herringbone teeth gears. Such gears eliminate any axial thrust and axial running of gears.

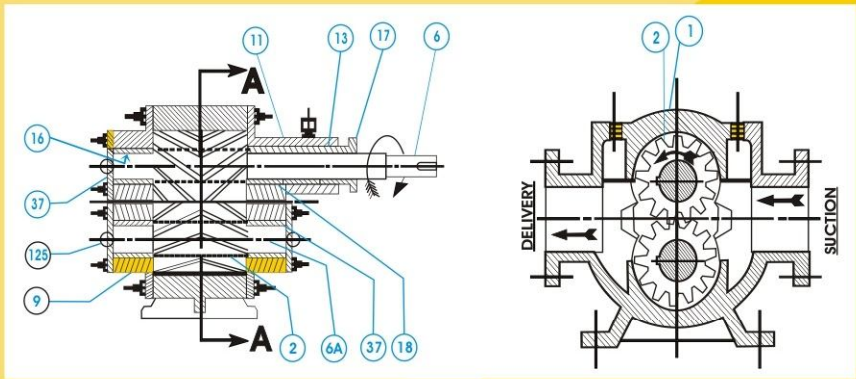
METALLURGY:- Casing and covers are made of high grade cast iron or cast steel, gears are available in alloy steel duly case hardened or bronze. Shafts are made of carbon steel.

DIRECTION OF ROTATION:- Looking at the coupling end of drive shaft the pump rotates clock wise, the drive shaft being above the idler shaft. In this position the suction flange of pump is on left hand side and delivery flange on the right hand side.

RANGE:- Gita 'GR' pumps are available in size from 1"x1" to 8"x8".

CROSS SECTIONAL VIEW OF "GR" PUMPS

No.	Part Name	Qty. Reqd. Per Pump	Mate Rial	Grade
1	CASING	1	C.I.	20
2	GEARS	2	EN-9	.
6	SHAFT DRIVE	1	EN-8	.
6A	SHAFT (IDLER)	1	EN-8	.
9	SIDE COVER	1	C.I.	20
11	GLAND SIDE COVER	1	C.I.	20
13	PACKING RINGS			
16	BEARING BUSH	3	G.M.	85-5.5.5
17	GLAND	1	C.I.	20
18	BUSH BEARING GLAND SIDE	1	G.M.	85.5.5.5
37	COVER BUSH BEARING	3	C.I.	20
125	GREASE CUP	4		.



RATING CHART OF TYPE "GR" PUMPS

SR. No.:	PUMP SIZE & TYPE	SIZE OF SUC. & DEL.	PUMP SPEED R.P.M.	CAPACITY		RECOMMENDED MOTOR H.P. AT HEAD IN METER WATER COLUMN										
				M ³ /Hr	T.P.H.	10	15	20	25	30	40	50	60			
1.	1 x 1 GR	1" x 1"	500	1.1	1.6	1.5										
			700	1.5	2.2											2
			1000	2.1	3.2											
2.	1 1/2" x 1 1/2" GR	1 1/2" x 1 1/2"	500	3.0	4.5	2				3	5					
			700	4.1	6.2											
			1000	5.9	8.9											7.5
3.	2 x 2 GR	2" x 2"	300	2.2	3.3	2					3					
			500	3.7	5.5											
			700	5.1	7.7											5
4.	2 1/2" x 2 1/2" GR	2 1/2" x 2 1/2"	300	7.4	11.1	3	2			3	5	7.5				
			500	12.4	18.6											
			700	17.4	26.1											12.5
5.	3 x 3 GR	3" x 3"	200	6.7	10	5				3	5	7.5	10	15	20	
			300	10.0	15											
			500	16.6	25											
			700	23.3	35											10
6.	4 x 4 GR	4" x 4"	150	9.9	15	5				5	7.5	10	15	20	25	
			200	13.3	20											
			300	20	30											
			500	33.2	50											10
7.	6 x 6 GR	6" x 6"	150	17.4	26.1	7.5				7.5	10	15	20	25	30	
			200	23.3	35											
			300	34.9	52.3											
			500	58.2	87											20
8.	8 x 8 GR	8" x 8"	300	100	140	15	20	25	30	35	40	40	50	60		



GITA PUMPS INDIA PVT. LTD.

H.O: POST BOX 32, GITA COMPOUND, PAPER MILL ROAD, SAHARANPUR - 247001
 WORKS : VILL-CHHAJPURA, P.O.: KAILASHPUR, DEHRADUN ROAD, SAHARANPUR
 PHONE: 0132-2786540, 2786541(FAX), 2786509, 9639013245, Upto 56, 9639013246
 Email: sales@gitapumps.com Website: www.gitapumps.com