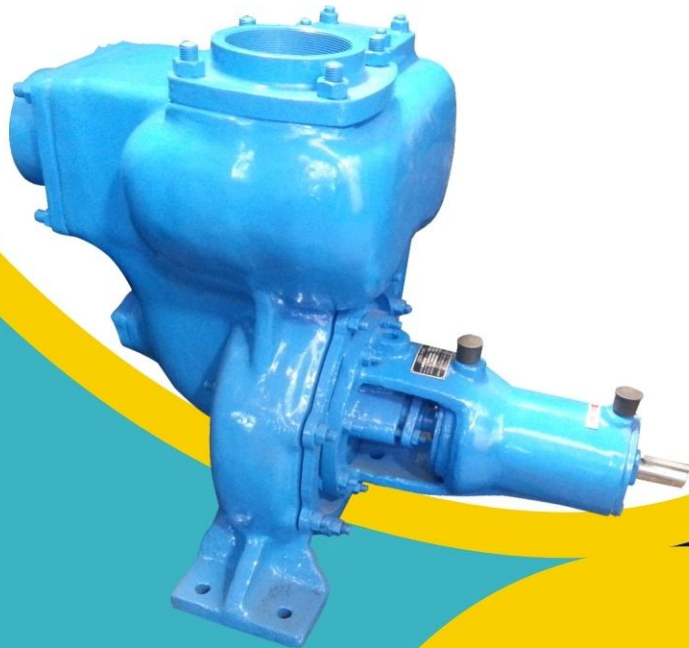


GITA PUMPS

AN ISO 9001:2008
CERTIFIED COMPANY



SELF PRIMING
PUMPS
TYPE
'LF'

APPLICATION:- 1. CIVIL ENGINEERING AND CONSTRUCTIONS PROJECTS FOR DEWATERING WORKS SITES FOUNDATION AND SEEPAGE WATER ETC. 2. PUBLIC HEALTH FOR CLEANING SEWERS, MANHOLES, DRAINAGE AND PUMPING OUT ACCUMULATED STAGNANT WATER. 3. MARKING WORK - HANDLING LIQUID CARGOS FROM FREIGHTER, BARGES, TANKS ETC. 4. INDUSTRIES - DRAINAGE, SUMP SERVICE AND FOR HANDLING NON CORROSIVE CHEMICAL AND OTHER CONTAMINATED LIQUIDS. 5. IRRIGATION AND ANY OTHER COMMON USE WHERE CENTRIFUGAL PUMPS CAN BE USED WITH THE ADDITION BENEFIT OF NO-PRIMING NECESSITY.

Gita type 'LF' centrifugal pumps are specially designed with an exclusive mechanism for self priming action. Therefore, No foot valve is needed- no priming headache and suction lift as high as 27feet can be achieved. Special features exclusive in Gita designed pumps are as under.

CASING :- Closed grained cast iron casing of volute liquid chamber, control flap valve and passages liberally designed for smooth flow and high efficiency. Wall thickness is designed for maximum working pressure.

IMPELLER :- Both open and closed type impellers are available in a choice of metallurgy. Open impales are truly and designed for high efficiency impellers are hand finished and balanced dynamically.

SHAFT:- Liberally designed shaft incorporates Gita's exclusive design technique of having maximum bearing to bearing distance in relation to bearing to impeller distance within the given parameter's to achieve minimum deflection and long trouble free service.

BEARINGS:- Deep groove antifriction ball bearings are used, selected with ample safety factor and greased for long initional working period.

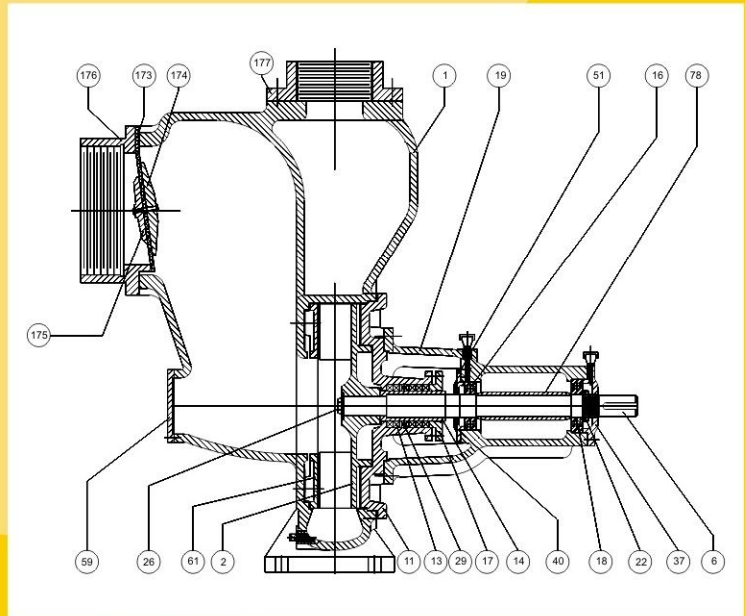
STUFFING BOX:- This is extra deep, capable of taking adequate number of gland packing too prevent any possible air leakage during long operation.

BASE PLATE:- Wherever required sturdy baseplate with machined pads are provided either for motor or engine moutingh with the pump.

DIRECTION OF ROTATION:- Standard is clockwise looking from suction side Alternative can be provided if desired.

CROSS SECTIONAL VIEW OF "LF" PUMPS

No.	Part Name
1	CASING
2	IMPELLER
6	SHAFT (PUMP)
11	STUFFING BOX COVER
13	GLAND PACKING
14	SHAFT SLEEVE
16	BEARING (INBOARD)
17	GLAND
18	BEARING (OUT BOARD)
19	BEARING BRACKET
22	BEARING LOCK NUT
26	IMPELLER LOCK NUT
29	CAGE RING
37	BEARING COVER (OUT BOARD)
40	DEFLECTOR
51	BEARING COVER (INBOARD)
59	HAND HOLE COVER
61	WEAR PLATE (SUCTION SIDE)
78	BEARING SPACER



GITA SELF PRIMING TYPE 'LF' HEAD CAPACITY & POWER TABLE CAPACITY IN LITERS PER SECOND. TOTAL IN METERS.

Type of Pump	Suction Delivery	4	6	8	10	12	14	16	18	20	22	24	26	30	Drive
50 LF	50x50			9.5	9.3	9.1	8.2	7.5	6.6	5.7	4.1	2.4			3 HP/ 2880 RPM MOTOR
50 LF	50x50			9.4	9.0	8.8	7.9	4.2	6.3	5.3	3.8	2.1			3 HP/ 3000 RPM ENGINE
50 LF	50x50				10.2	9.6	8.7	8.1	7.3	6.5	5.3	3.6			4.5 HP/ 3000 RPM ENGINE
	75x75			18.5	17.5	15.9	13.6	10.6	6.7	4.1					5 HP/ 1440 RPM MOTOR
75 LF	75x75			19	18	16.4	14.0	11	7.3	4.8					5 HP/ 1500 RPM ENGINE
75 LF	75x75					25	24	22	19	17.0	15.3	13.4	11.2	8.1	8 HP/ 1800 RPM ENGINE
100 LF	100x100		39	36.2	35.8	33.7	31.0	28.5	25.3	22.3	17.9	11.8			10 HP/ 1440 RPM MOTOR
100 LF	100x100			42	40	37	34	31.4	28.4	25.4	21.7	17.2	11.8		12 HP/ 1500 RPM ENGINE
100 LF	100x100				45	42	40	37	34	31	27	22	17		14 HP/ 1500 RPM ENGINE
150 LF	150x150														
150 LFH	150x150														



GITA PUMPS INDIA PVT. LTD.

H.O: POST BOX 32, GITA COMPOUND, PAPER MILL ROAD, SAHARANPUR - 247001
 WORKS : VILL-CHHAJPURA, P.O.: KAILASHPUR, DEHRADUN ROAD, SAHARANPUR
 PHONE: 0132-2786540, 2786541(FAX), 2786509, 9639013245, Upto 56, 9639013246
 Email: sales@gitapumps.com Website: www.gitapumps.com