

GITA PUMPS

AN ISO 9001:2008
CERTIFIED COMPANY



MIXED FLOW
TYPE
'MF'

APPLICATION:- Lift Irrigation, Spray Water Installation, Sewage Disposal, Cooling Towers Flood Control, Water Circulation, Water Treatment Plants, Water Works.

DESIGN FEATURES:- Mixed flow pumps develop their head partly by centrifugal force and partly by the lift of the vane on the liquid. These pumps are suitable for handling large quantities of water at relatively low head. Owing to their large cross sectional flow areas they can pump liquid with impurities even soft solids and sludge within limits.

CASING:- It is of volute type, swept back in the direction of centreline of impeller flow. Supporting feet are cast integral with the casing.

SHAFT:- Liberally designed shaft is mounted on deep groove heavy duty bearings, set wide apart, based on Gita's exclusive design principle for long trouble free pump life.

FLANGES:- Drilled to BS-10 table D drilling as per ISS, Din are also available on request.

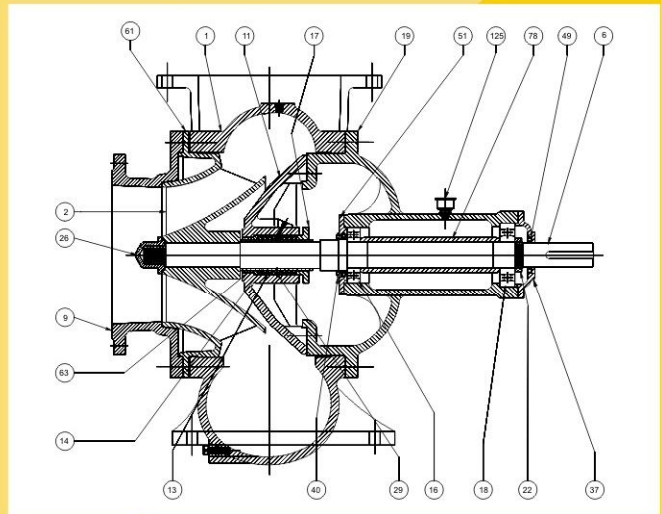
IMPELLER:- Both open and closed type impellers are available. Impeller vanes are designed for high efficiency incorporating most modern hydraulic design principles.

ROTATION:- Counter clock wise looking from suction side.

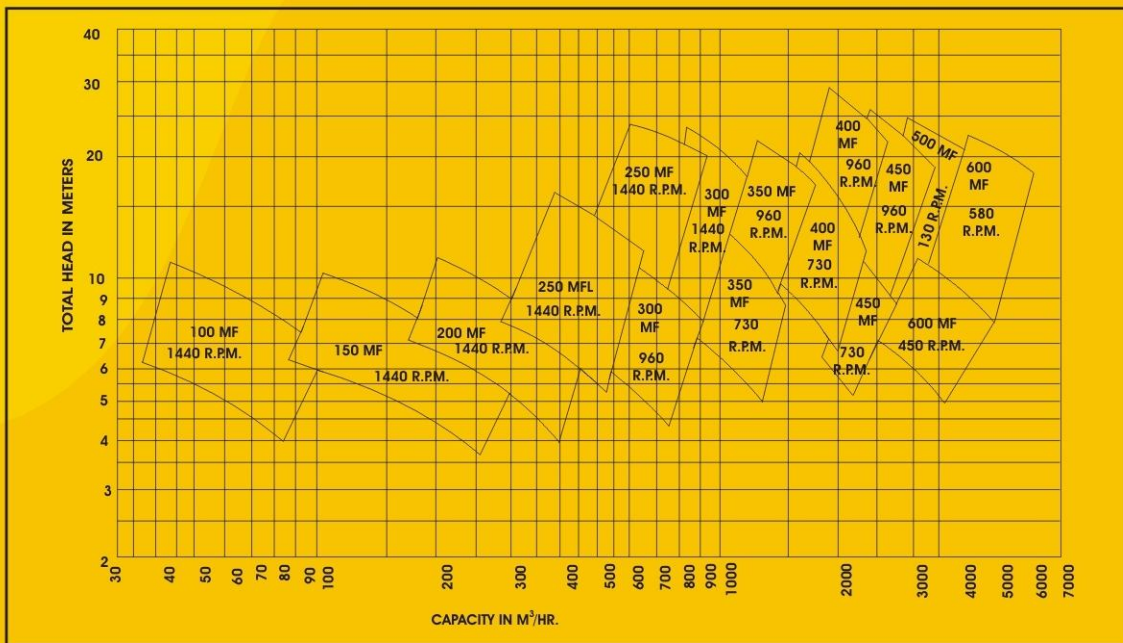
FOR SELECTION OF SPARE PARTS

Cross Sectional View of 'MF' pumps

| No. | Part Name |
|-----|---------------------------|
| 1 | CASING |
| 2 | IMPELLER |
| 6 | SHAFT (PUMP) |
| 9 | SUCTION COVER |
| 11 | STUFFING BOX COVER |
| 13 | GLAND PACKING |
| 14 | SHAFT SLEEVE |
| 16 | BEARING (INBOARD) |
| 17 | GLAND |
| 18 | BEARING (OUT BOARD) |
| 19 | BEARING BRACKET |
| 22 | BEARING LOCK NUT |
| 26 | IMPELLER LOCK NUT |
| 29 | CAGE RING |
| 37 | BEARING COVER (OUT BOARD) |
| 40 | DEFLECTOR |
| 51 | BEARING COVER (IN BOARD) |
| 61 | WEAR PLATE (SUCTION SIDE) |
| 63 | STUFFING BOX BUSHING |
| 78 | BEARING SPACER |



PERFORMANCE RANGE CHART OF TYPE "MF" PUMPS



FOR SELECTION OF HEAD & FLOW CAPACITY



GITA PUMPS INDIA PVT. LTD.

H.O: POST BOX 32, GITA COMPOUND, PAPER MILL ROAD, SAHARANPUR - 247001
 WORKS : VILL-CHHAJPURA, P.O.: KAILASHPUR, DEHRADUN ROAD, SAHARANPUR
 PHONE: 0132-2786540, 2786541(FAX), 2786509, 9639013245, Upto 56, 9639013246
 Email: sales@gitapumps.com Website: www.gitapumps.com