

GITA PUMPS

AN ISO 9001:2008
CERTIFIED COMPANY

**BACK PULL-OUT TYPE DESIGN.
QUICK REMOVAL OF ROTOR ASSEMBLY.
EASY REPLACEMENT OF GLAND PACKING.
ADJUSTABLE FRONT WEAR PLATE.
100% INTERCHANGEABLE PARTS.**

STOCK PUMPS
TYPE
'PS'



APPLICATION:- GITA PS TYPE PAPER STOCK PUMPS ARE SPECIALLY DESIGNED FOR HANDLING PULP IN PAPER AND BOARD INDUSTRIES UPTO A CONSISTENCY OF 6.5%

SALIENT FEATURES:-

1. Back pull-out type design.
2. Quick removal of rotor assembly.
3. Easy replacement of gland packing.
4. Adjustable front wear plate.
5. 100% interchangeable parts.

CONSTRUCTION DETAILS.

CASING :- It is of volute type with top discharge and having mounting feet cast integral with it.

IMPELLER:- The impeller is specially designed, open on both side and swept back for easy flow of liquid. The possible chocking or packing of fibrous material in the back of the impeller.

SHAFT:- Shaft is designed with a liberal factor of safety which enables the pump to be driven by V- belt pulley mounted directly on pump shaft, if desired. Adequate bearing to bearing span is kept to eliminate chance of deflection or vibration.

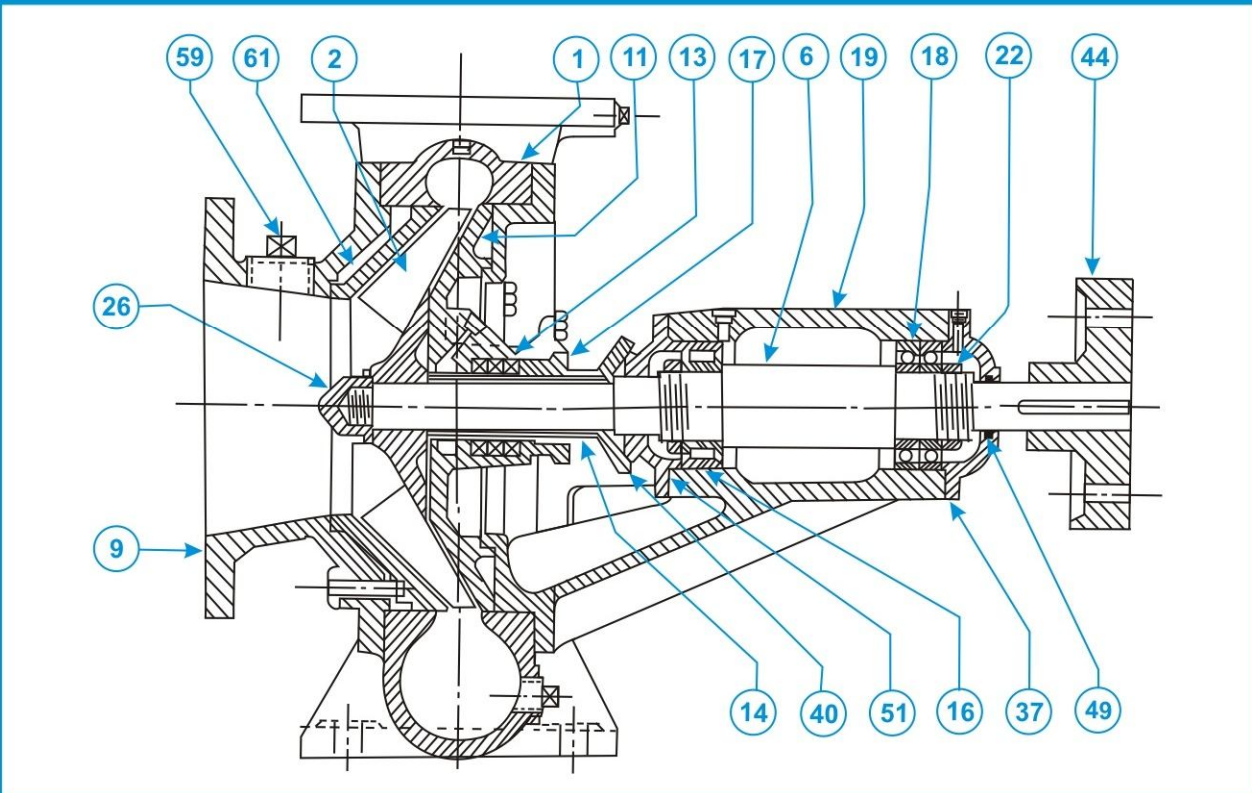
WEAR PLATE:- Wear plate is provided on suction side, which is locked securely with the suction cover. This keeps the clearance between impeller and wear plate to a minimum for high pumping efficiency.

STUFFING BOX:- Extra deep to accommodate adequate number of gland packing.

BEARING :- Deep groove, heavy duty bearings are provided which are mounted in a sturdily designed bearing bracket. Bearings are grease lubricated.

FLANGES:- Flanges are drilled to BS-10 Table D. They can be supplied in ISS/DIN standard also if desired.

CROSS SECTIONAL VIEW OF "PS" PUMPS



PERFORMANCE CHARACTERISTICS 1450 RPM MODEL "PS"

No.	Part Name	No.	Part Name
1	CASING	22	BEARING LOCK NUT
2	IMPELLER	26	IMPELLER LOCK NUT
6	SHAFT (PUMP)	37	BEARING COVER (OUT BOARD)
9	SUCTION COVER	40	DEFLECTOR
11	STUFFING BOX COVER	44	COUPLING (PUMP HALF)
13	GLAND PACKING	49	BEARING COVER SEAL
14	SHAFT SLEEVE	51	BEARING COVER (IN BOARD)
16	BEARING (IN BOARD)	59	HAND-HOLE COVER
17	GLAND	61	WEAR PLATE (SUCTION SIDE)
18	BEARING (OUT BOARD)		
19	BEARING BRACKET		



GITA PUMPS INDIA PVT. LTD.

H.O: POST BOX 32, GITA COMPOUND, PAPER MILL ROAD, SAHARANPUR - 247001
 WORKS : VILL-CHHAJPURA, P.O.: KAILASHPUR, DEHRADUN ROAD, SAHARANPUR
 PHONE: 0132-2786540, 2786541(FAX), 2786509, 9639013245, Upto 56, 9639013246,
 Email: sales@gitapumps.com Website: www.gitapumps.com